

Racores DIN 2353

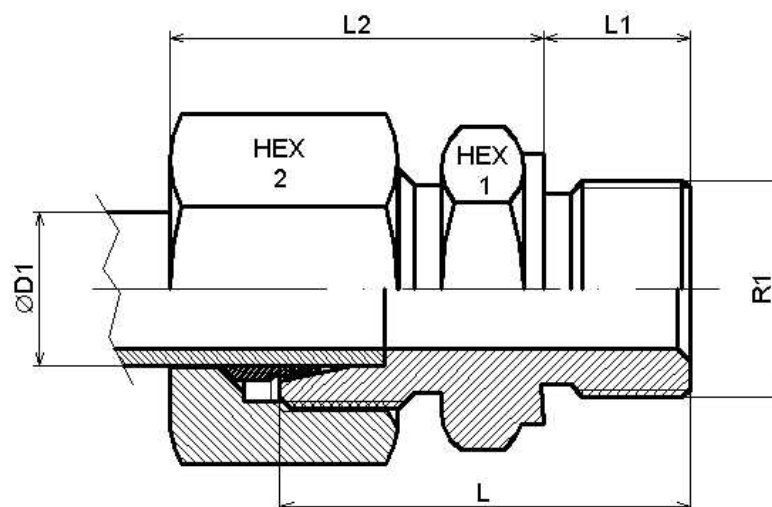
Uniones rectas tubo-rosca

## Racor recto rosca cilíndrica BSP



Acero Inoxidable AISI 316-L

1/2



Artículo	ØD1	Serie	R1	Presión de trabajo (bar)	L	L1	L2	HEX 1	HEX 2
Z AL 6 R 1/8	6	L	1/8" BSP	315	23,5	8	23,5	14	14
Z AL 6 R 1/4	6	L	1/4" BSP	315	29	12	25	19	14
Z AL 6 R 3/8	6	L	3/8" BSP	315	30,5	12	26,5	22	14
Z AL 8 R 1/8	8	L	1/8" BSP	315	24,5	8	24	14	17
Z AL 8 R 1/4	8	L	1/4" BSP	315	29	12	25	19	17
Z AL 8 R 3/8	8	L	3/8" BSP	315	30,5	12	26,5	22	17
Z AL 8 R 1/2	8	L	1/2" BSP	315	33	14	27	27	17
Z AL 10 R 1/8	10	L	1/8" BSP	315	25,5	8	25,5	17	19
Z AL 10 R 1/4	10	L	1/4" BSP	315	30	12	26	19	19
Z AL 10 R 3/8	10	L	3/8" BSP	315	31,5	12	27,5	22	19
Z AL 10 R 1/2	10	L	1/2" BSP	315	34	14	28	27	19
Z AL 12 R 1/4	12	L	1/4" BSP	315	31	12	27	19	22
Z AL 12 R 3/8	12	L	3/8" BSP	315	31,5	12	27,5	22	22
Z AL 12 R 1/2	12	L	1/2" BSP	315	34	14	28	27	22
Z AL 15 R 3/8	15	L	3/8" BSP	315	32,5	12	29	24	27
Z AL 15 R 1/2	15	L	1/2" BSP	315	35	14	29	27	27
Z AL 15 R 3/4	15	L	3/4" BSP	315	38	16	30	32	27
Z AL 18 R 1/2	18	L	1/2" BSP	315	36	14	31	27	32
Z AL 18 R 3/4	18	L	3/4" BSP	315	38	16	31	32	32
Z AL 22 R 3/8	22	L	3/8" BSP	160					
Z AL 22 R 1/2	22	L	1/2" BSP	630	38	14	33	32	36
Z AL 22 R 3/4	22	L	3/4" BSP	630	40	16	33	32	36
Z AL 22 R 1	22	L	1" BSP	630	43	18	34	41	36
Z AL 28 R 3/4	28	L	3/4" BSP	630	41	16	34	41	41

Racores DIN 2353

Uniones rectas tubo-rosca

**Racor recto rosca cilíndrica BSP**

Acero Inoxidable AISI 316-L

**2/2**

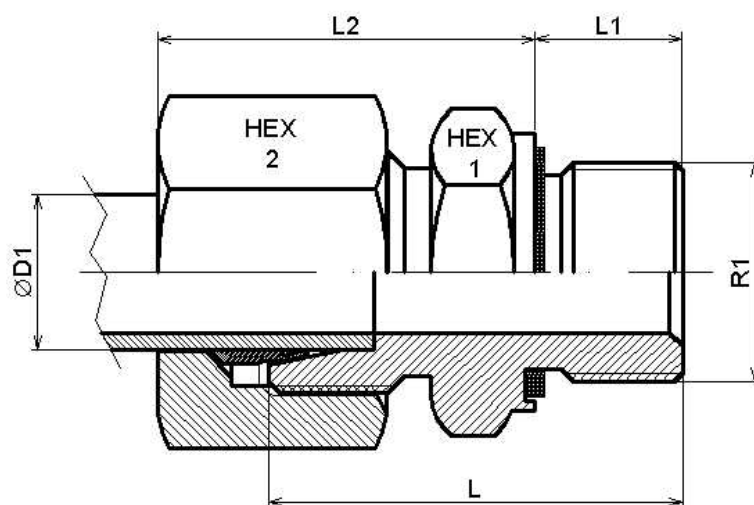
Artículo	ØD1	Serie	R1	Presión de trabajo (bar)	L	L1	L2	HEX 1	HEX 2
<b>Z AL 28 R 1</b>	28	L	1" BSP	630	43	18	34	41	41
<b>Z AL 35 R 1 1/4</b>	35	L	1"1/4 BSP	630	48	20	39	50	50
<b>Z AL 35 R 1 1/2</b>	35	L	1"1/2 BSP	630					
<b>Z AL 42 R 1 1/2</b>	42	L	1"1/2 BSP	630	52	22	42	55	60
<b>Z AS 6 R 1/4</b>	6	S	1/4" BSP	630	32	12	28	19	17
<b>Z AS 6 R 3/8</b>	6	S	3/8" BSP	630					
<b>Z AS 8 R 1/4</b>	8	S	1/4" BSP	630	34	12	30	19	19
<b>Z AS 8 R 3/8</b>	8	S	3/8" BSP	630	34,5	12	30,5	22	19
<b>Z AS 8 R 1/2</b>	8	S	1/2" BSP	630					
<b>Z AS 10 R 1/4</b>	10	S	1/4" BSP	630	34	12	31	19	22
<b>Z AS 10 R 3/8</b>	10	S	3/8" BSP	630	34,5	12	31	22	22
<b>Z AS 10 R 1/2</b>	10	S	1/2" BSP	630	39	14	34	27	22
<b>Z AS 12 R 1/4</b>	12	S	1/4" BSP	630	36	12	33	22	24
<b>Z AS 12 R 3/8</b>	12	S	3/8" BSP	630	36,5	12	33,5	22	24
<b>Z AS 12 R 1/2</b>	12	S	1/2" BSP	630	39	14	34	27	24
<b>Z AS 14 R 3/8</b>	14	S	3/8" BSP	630	38,5	12	36,5	24	27
<b>Z AS 14 R 1/2</b>	14	S	1/2" BSP	630	41	14	37	27	27
<b>Z AS 16 R 3/8</b>	16	S	3/8" BSP	400	38,5	12	36,5	27	30
<b>Z AS 16 R 1/2</b>	16	S	1/2" BSP	400	41	14	37	27	30
<b>Z AS 16 R 3/4</b>	16	S	3/4" BSP	400	45	16	39	32	30
<b>Z AS 20 R 1/2</b>	20	S	1/2" BSP	400	45	14	42	32	36
<b>Z AS 20 R 3/4</b>	20	S	3/4" BSP	400	47	16	42	32	36
<b>Z AS 20 R 1</b>	20	S	1" BSP	400					
<b>Z AS 25 R 3/4</b>	25	S	3/4" BSP	400	51	16	47	41	46
<b>Z AS 25 R 1</b>	25	S	1" BSP	400	53	18	47	41	46
<b>Z AS 30 R 1</b>	30	S	1" BSP	400	55	18	50	46	50
<b>Z AS 30 R 1 1/2</b>	30	S	1"1/2 BSP	400					
<b>Z AS 38 R 1 1/4</b>	38	S	1"1/4 BSP	315	62	20	57	55	60
<b>Z AS 38 R 1 1/2</b>	38	S	1"1/2 BSP	315	64	22	57	55	60

Racores DIN 2353

Uniones rectas tubo-rosca

**Racor recto rosca cilíndrica BSP con junta****FLUIDAL**

Acero Inoxidable AISI 316-L

**1/2**

Artículo	ØD1	Serie	R1	Presión de trabajo (bar)	L	L1	L2	HEX 1	HEX 2
Z AL 6 R 1/8WD	6	L	1/8"BSP	315	23,5	8	23,5	14	14
Z AL 6 R 1/4WD	6	L	1/4"BSP	315	29	12	25	19	14
Z AL 6 R 3/8WD	6	L	3/8"BSP	315					
Z AL 8 R 1/8WD	8	L	1/8"BSP	315	24,5	8	24,5	14	17
Z AL 8 R 1/4WD	8	L	1/4"BSP	315	29	12	25	19	17
Z AL 8 R 3/8WD	8	L	3/8"BSP	315	30,5	12	26,5	22	17
Z AL 8 R 1/2WD	8	L	1/2"BSP	315					
Z AL 10 R 1/8WD	10	L	1/8"BSP	315					
Z AL 10 R 1/4WD	10	L	1/4"BSP	315	30	12	26	19	19
Z AL 10 R 3/8WD	10	L	3/8"BSP	315	31,5	12	27,5	22	19
Z AL 10 R 1/2WD	10	L	1/2"BSP	315	34	14	28	27	19
Z AL 12 R 1/4WD	12	L	1/4"BSP	315	31	12	27	19	22
Z AL 12 R 3/8WD	12	L	3/8"BSP	315	31,5	12	27,5	22	22
Z AL 12 R 1/2WD	12	L	1/2"BSP	315	34	14	28	27	22
Z AL 15 R 3/8WD	15	L	3/8"BSP	315	32,5	12	28,5	24	27
Z AL 15 R 1/2WD	15	L	1/2"BSP	315	35	14	29	27	27
Z AL 15 R 3/4WD	15	L	3/4"BSP	315					
Z AL 18 R 1/2WD	18	L	1/2"BSP	315	36	14	31	27	32
Z AL 18 R 3/4WD	18	L	3/4"BSP	315	38	16	31	32	32
Z AL 22 R 1/2WD	22	L	1/2"BSP	160					
Z AL 22 R 3/4WD	22	L	3/4"BSP	160	40	16	33	32	36
Z AL 22 R 1WD	22	L	1"BSP	160					
Z AL 28 R 3/4WD	28	L	3/4"BSP	160					
Z AL 28 R 1WD	28	L	1"BSP	160	43	18	34	41	41
Z AL 35 R 1WD	35	L	1"BSP	160					
Z AL 35 R 1 1/4WD	35	L	1"1/4BSP	160	48	20	39	50	50
Z AL 42 R 1 1/2WD	42	L	1"1/2BSP	160	52	22	42	55	60

Racores DIN 2353

Uniones rectas tubo-rosca

**Racor recto rosca cilíndrica BSP con junta**

Acero Inoxidable AISI 316-L

**2/2**

Artículo	ØD1	Serie	R1	Presión de trabajo (bar)	L	L1	L2	HEX 1	HEX 2
<b>Z AS 6 R 1/4WD</b>	6	S	1/4"BSP	630	32	12	28	19	17
<b>Z AS 8 R 1/4WD</b>	8	S	1/4"BSP	630	34	12	30	19	19
<b>Z AS 8 R 3/8WD</b>	8	S	3/8"BSP	630	34,5	12	30,5	22	19
<b>Z AS 8 R 1/2WD</b>	8	S	1/2"BSP	630					
<b>Z AS 10 R 1/4WD</b>	10	S	1/4"BSP	630	34	12	31	19	22
<b>Z AS 10 R 3/8WD</b>	10	S	3/8"BSP	630	34,5	12	31,5	22	22
<b>Z AS 10 R 1/2WD</b>	10	S	1/2"BSP	630	39	14	34	27	22
<b>Z AS 12 R 1/4WD</b>	12	S	1/4"BSP	630	36	12	33	22	24
<b>Z AS 12 R 3/8WD</b>	12	S	3/8"BSP	630	36,5	12	33,5	22	24
<b>Z AS 12 R 1/2WD</b>	12	S	1/2"BSP	630	39	14	34	27	24
<b>Z AS 14 R 3/8WD</b>	14	S	3/8"BSP	630					
<b>Z AS 14 R 1/2WD</b>	14	S	1/2"BSP	630	41	14	37	27	27
<b>Z AS 16 R 3/8WD</b>	16	S	3/8"BSP	400	38,5	12	36,5	27	30
<b>Z AS 16 R 1/2WD</b>	16	S	1/2"BSP	400	41	14	37	27	30
<b>Z AS 16 R 3/4WD</b>	16	S	3/4"BSP	400	45	16	39	32	30
<b>Z AS 20 R 1/2WD</b>	20	S	1/2"BSP	400					
<b>Z AS 20 R 3/4WD</b>	20	S	3/4"BSP	400	47	16	42	32	36
<b>Z AS 25 R 3/4WD</b>	25	S	3/4" BSP	400	51	16	47	41	46
<b>Z AS 25 R 1WD</b>	25	S	1"BSP	400	53	18	47	41	46
<b>Z AS 25 R 1 1/4WD</b>	25	S	1"1/4BSP	400					
<b>Z AS 30 R 1WD</b>	30	S	1"BSP	400					
<b>Z AS 30 R 1 1/4WD</b>	30	S	1"1/4 BSP	400	57	20	50	50	50
<b>Z AS 30 R 1 1/2WD</b>	30	S	1"1/2BSP	400					
<b>Z AS 38 R 1 1/4WD</b>	38	S	1"1/4BSP	315					
<b>Z AS 38 R 1 1/2WD</b>	38	S	1"1/2BSP	315	64	22	57	55	60